



CONFIGURE THIS PRODUCT



M2	Power	Material	Flange	Lens Cover	Beam	Colour	Driver	Mount
M2	2 Watt	A aluminium C copper S s/steel	R round S square L louvre * LR large round LS large square LL large louvre * SP spot GG glare guard WW wall washer * PL path light * SL step light * SLS step light with slot * SQ2 squarelight *	C clear F frosted H hexcell	8 8° TIR 26 26° 74 74° 15 + 40 oval TIR	R red G green B blue A amber WWW warm white 2700°K WW warm white 3000°K NW neutral white 4000°K CW cool white 5000°K	I integral R remote	B bracket BS bracket & spike R recessed WB weighty base

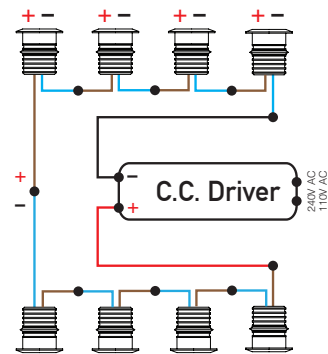
* Only Colour and Driver options are applicable

SPECIFICATIONS

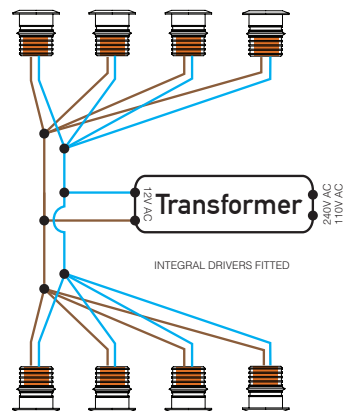
Power	2 Watt
Ingress Protection Rating	IP68
Cable	H05RN - F 1m included
Material	Black Anodised Aluminium excluding pondlight Natural Copper 316 Stainless Steel
Hexcell Baffle Insert	Hexcell beam orientation available for Round, Square & Spot flanges only
Lens Cover	Clear, Frosted Glass
Removable Light Engine	Pin mounted 2W Cree White XTE Chip
Colours	Warm White 2700°K, 3000°K Neutral White 4000°K Cool White 5000°K Red, Green, Blue, Amber
CRI	Ra 82
Efficacy	75 lm/W
Optic Degrees	8°, 26°, 74°, Oval, Path & Step, Wall washer
Input	700mA constant current (Remote) 12V AC (Integral)
Warranty	Electronics Warranty 5 years Body Warranty 10 years
LEDshield	LED Bypass Shunt



REMOTE DRIVER WIRED IN SERIES



INTEGRAL DRIVER + TRANSFORMER

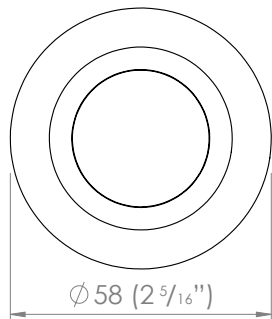
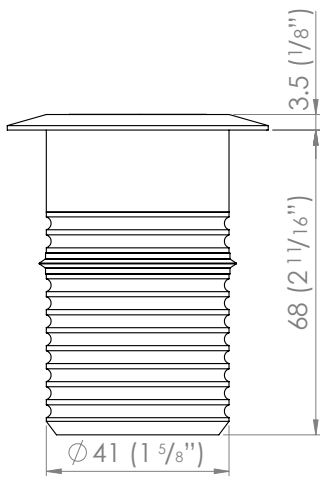


INSTALLATION INSTRUCTIONS

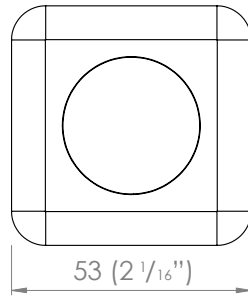
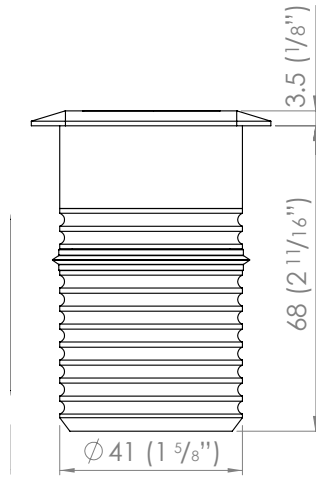
Connect remote driver versions in series.
Connect integral driver versions in parallel.
IP68 connector recommended. Never switch the output of a constant current driver. Driver must be switched off when connecting LED's to prevent damage.

ACCESSORIES: PVC Canister

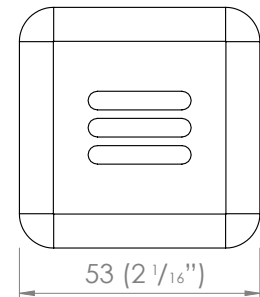
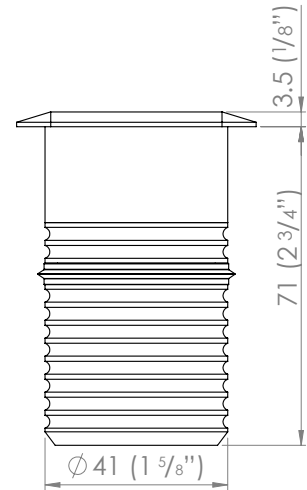
ROUND DIMENSIONS



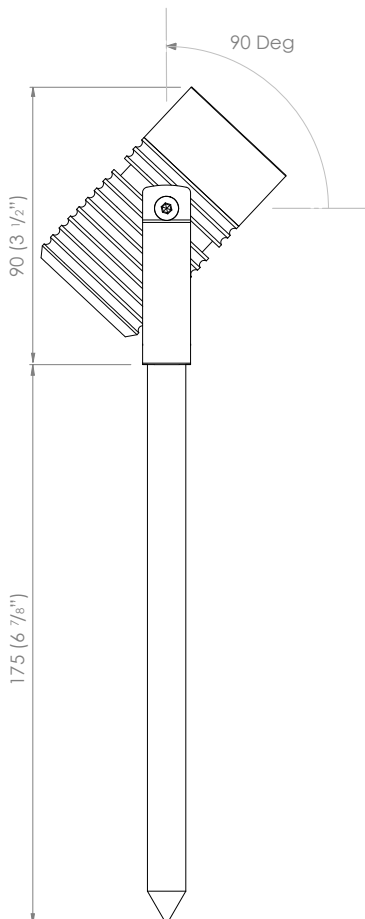
SQUARE DIMENSIONS



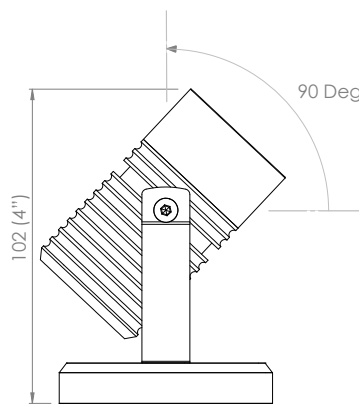
LOUVRE DIMENSIONS



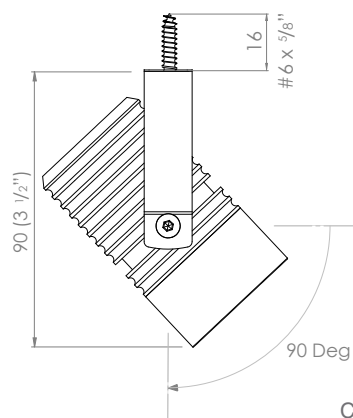
**SPOT LIGHT DIMENSIONS
SPIKE MOUNT**



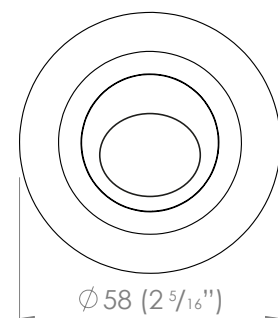
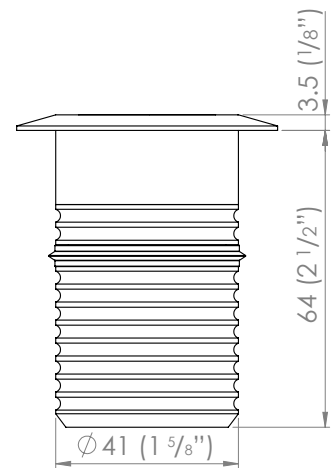
**POND LIGHT DIMENSIONS
WEIGHTED MOUNT**



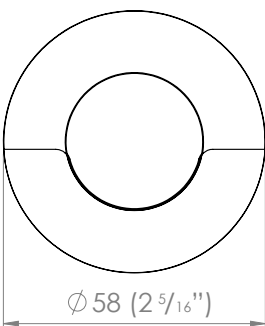
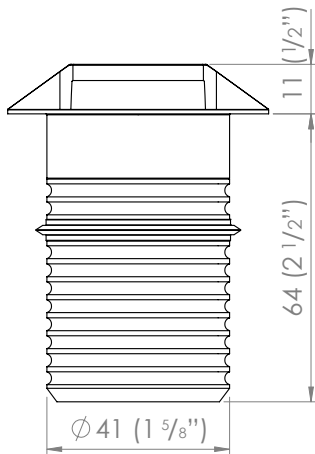
**SPOT WITH BRACKET
DIMENSIONS**



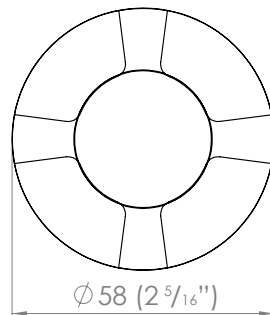
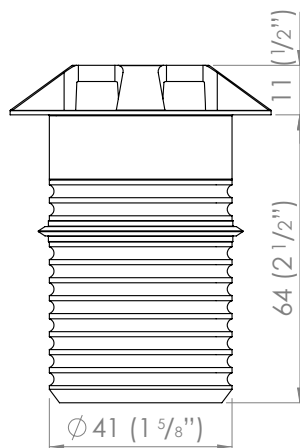
WALL WASHER DIMENSIONS



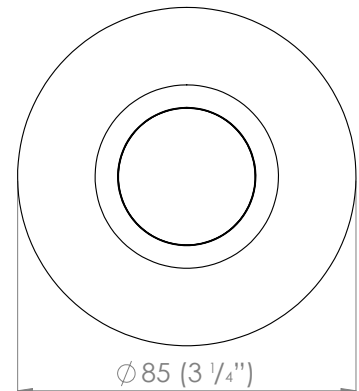
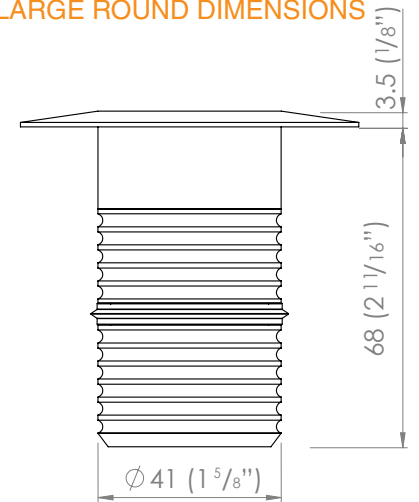
STEP LIGHT DIMENSIONS



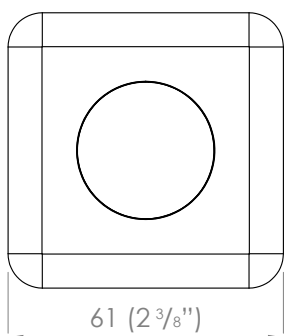
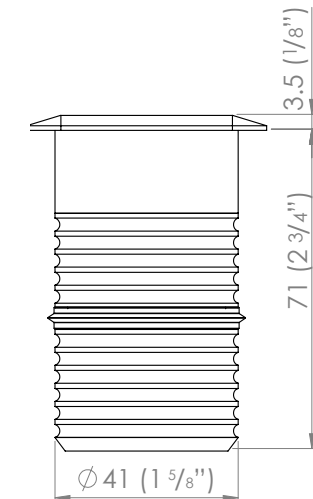
PATH LIGHT DIMENSIONS



LARGE ROUND DIMENSIONS



LARGE SQUARE DIMENSIONS



LARGE SQUARE LOUVRE DIMENSIONS

